



BC-P1507

Dual-Screen Cantilever Pole Stand

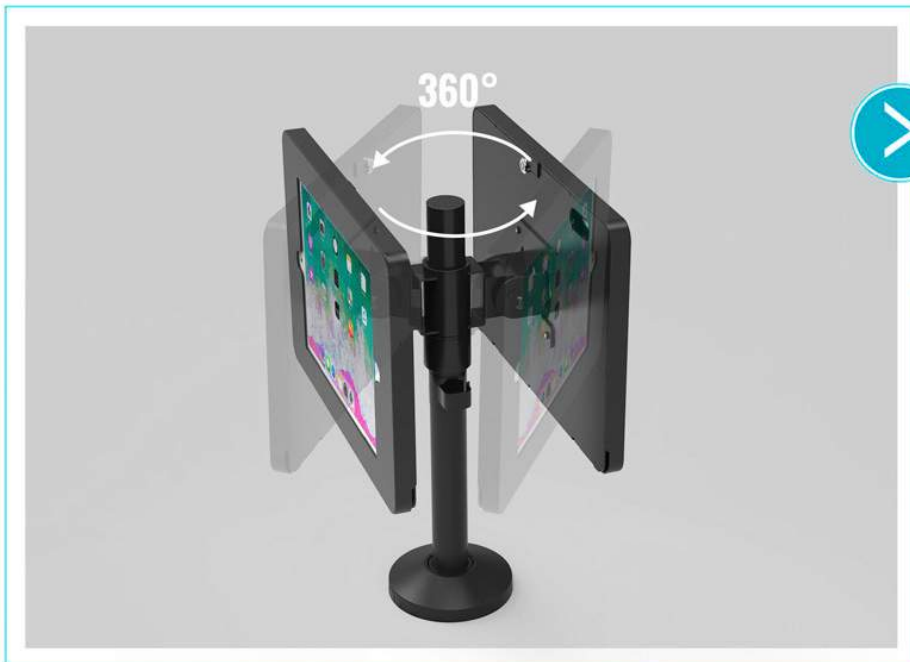
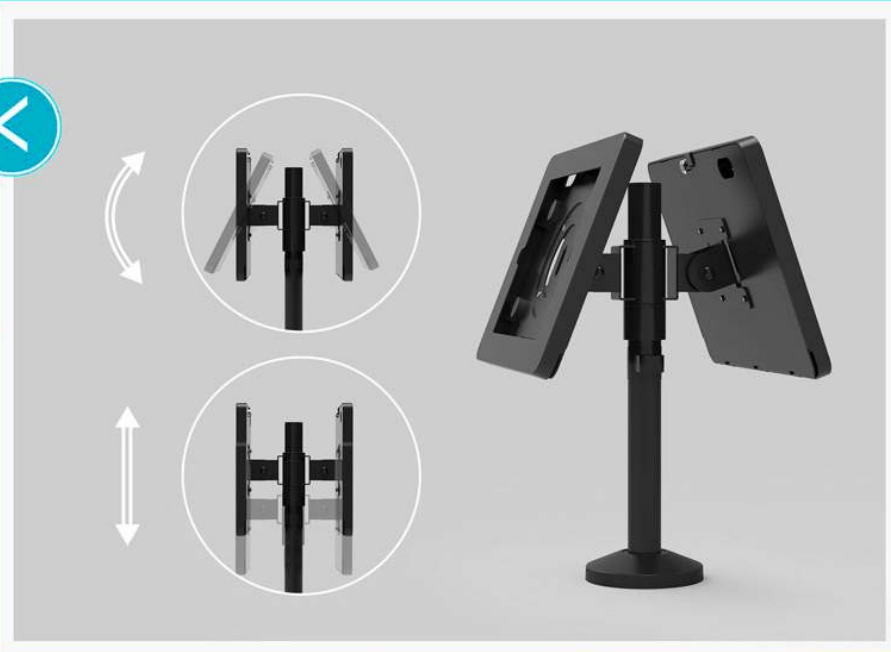


Features

- ★ Compatibility: iPad 10.2"(2019),or customized
- ★ Supporting arm is rotatable and height adjustable
- ★ Each enclosure is tiltable for an ideal viewing angle
- ★ Standard VESA holes for different sizes tablet enclosures and monitors



Titling Tablet enclosure and Height can be adjusted

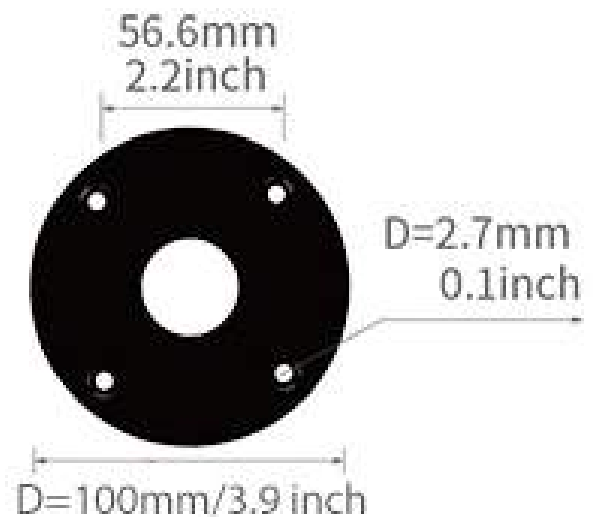


Tablet enclosure support 360° rotation as shown

Clip on pole to arrange the cable



Specification



Model	BC-P1507
Tablet Compatibility	iPad 10.2"(2019)
Dimensions (mm)	149×100×354
Dimensions (inch)	5.9×3.9×13.9
Net Weight	1.5kg
Material	SPCC
Color	Black
Customization	Color, Tablet enclosure